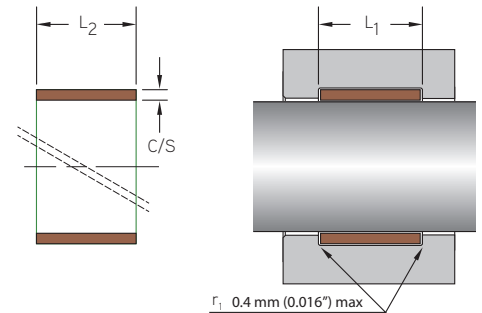
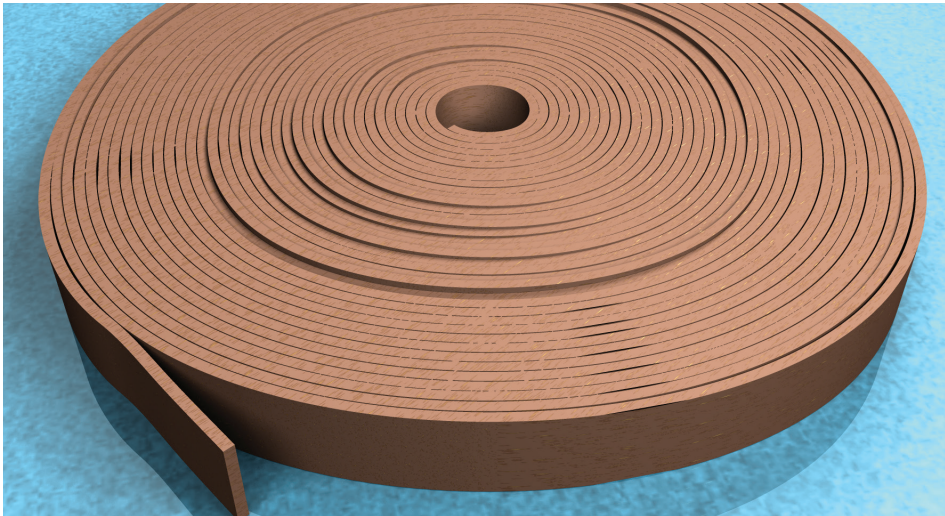


TECHNICAL BULLETIN: PTFE BEARING TAPE BRONZE FILLED



PTFE Bearing Tape - Metric

| Thickness (C/S) | Roll Length |
|-----------------|-------------|
| +0.00/-0.05 | |
| 1.5 | 115 Ft. |
| 2 | 82 Ft. |
| 2.5 | 66 Ft. |
| 3 | 53 Ft. |
| 3.5 | 92 Ft. |
| 4 | 79 Ft. |

| Width (L2) | Groove (L1) |
|-------------|-------------|
| +0.00/-0.20 | +0.20/-0.00 |
| * 3 | 3.2 |
| ** 3.8 | 4 |
| 5.4 | 5.6 |
| 5.6 | 5.8 |
| 6 | 6.2 |
| 6.1 | 6.3 |
| 7.9 | 8.1 |
| 8 | 8.2 |
| 9.5 | 9.7 |
| 9.7 | 9.9 |
| 10 | 10.2 |
| 11.8 | 12 |
| 12.8 | 13 |
| 13 | 13.2 |
| 13.8 | 14 |
| 14 | 14.2 |
| 14.8 | 15 |
| 15 | 15.2 |
| 19.8 | 20 |
| 20 | 20.2 |
| 24.8 | 25 |
| 25 | 25.2 |
| 34.8 | 35 |
| 49.8 | 50 |

* 1.5 mm C/S only ** 2 & 2.5 mm C/S only

IPM-TEK produces Proprietary, Tight Tolerance, PTFE Bearing Tape that is designed to eliminate scoring, in hydraulic and pneumatic cylinder applications, by preventing metal to metal contact. Our Bronze Filled PTFE compound provides excellent light-duty, low friction performance.

IPM-TEK has the know-how to make the best quality skived PTFE products on the market today. Precision crafted into rolls, our Bearing Tapes are made with the most up-to-date skiving technologies, and premium selection of raw materials. Our Bearing Tapes can be produced from 0.063" up to 0.125" thick (from 1.5 to 4 mm), in widths from 0.25" up to 2" (from 3 to 49.8 mm).

Contact IPM-TEK today, for more information, or to place an order for our Tight Tolerance, Bronze Filled, PTFE Bearing Tape. Your equipment will appreciate it.

Ordering is easy, just select a Thickness (C/S) and the Width (L2). Be sure to double check your Groove Width for clearance (L1). The roll length will be determined by the Thickness (C/S).

PTFE Bearing Tape - Inch

| Thickness (C/S) | Roll Length |
|-----------------|-------------|
| +0.000/-0.002 | |
| 0.063" | 115 Ft. |
| 0.094" | 66 Ft. |
| 0.125" | 52 Ft. |

| Width (L2) | Groove (L1) |
|---------------|---------------|
| +0.000/-0.010 | +0.020/-0.000 |
| 0.250" | 0.260" |
| 0.375" | 0.385" |
| 0.500" | 0.510" |
| 0.625" | 0.635" |
| 0.750" | 0.760" |
| 1.000" | 1.010" |
| 1.250" | 1.260" |
| 1.500" | 1.510" |
| 1.750" | 1.760" |
| 2.000" | 2.010" |

The data we are herewith providing are all based on laboratory testing and are proposed to technical designers as possible and useful advice. Deviations from the values indicated may occur, but they do not constitute themselves either detriment of quality or reason for rejection.

2352 N. Lobdell Avenue
Baton Rouge, LA 70806
Office: 225-928-0114
Fax: 225-218-4272
info@ipmtek.com

IPM TEK
THE AMERICAN PTFE MANUFACTURER